

**BRIGTER THAN
DISP
ALL
9**

**FAINTER THAN
GAL
SET
8**

**LARGER THAN
DNEB
SYNC
7**

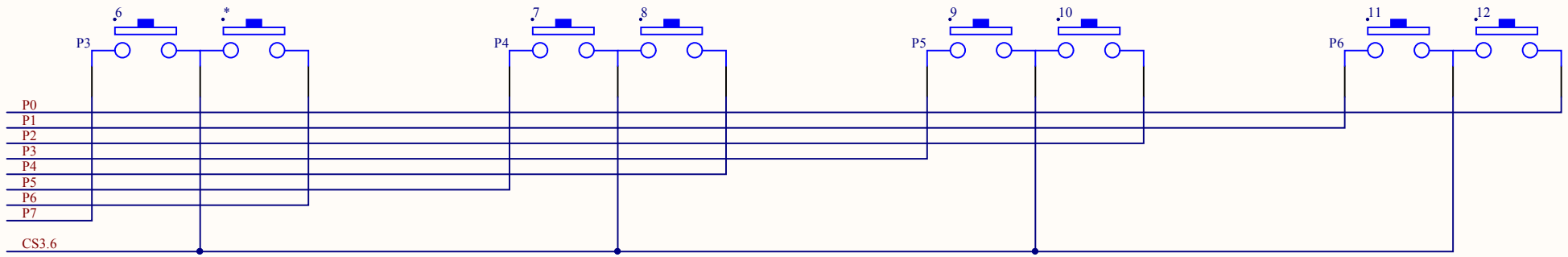
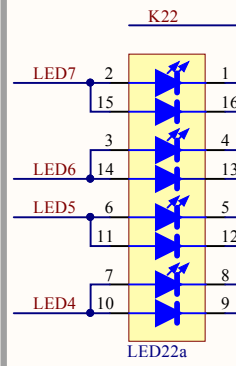
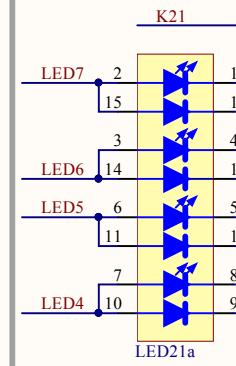
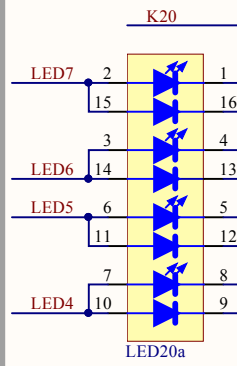
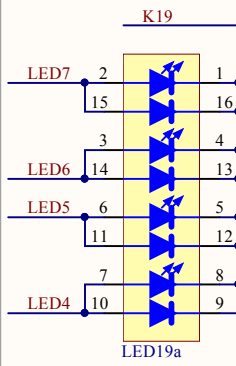
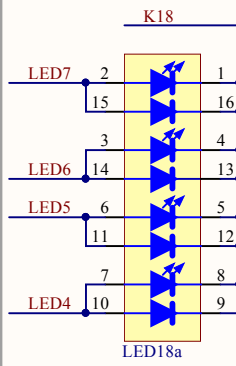
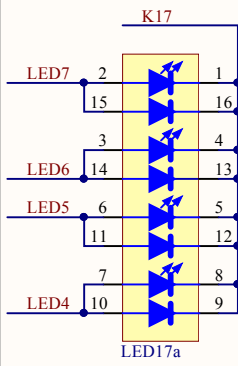
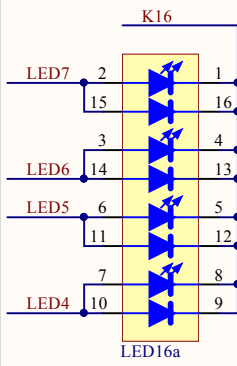
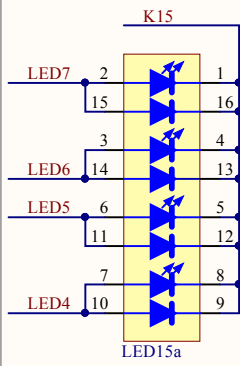
**SMALL'R THAN
PNEB
SLEW
6**

**HIGHER THAN
OPEN
REV
5**

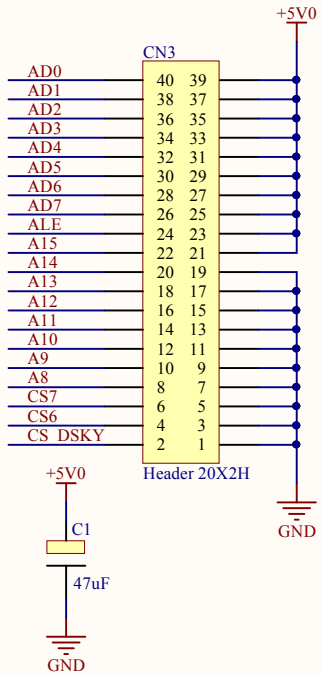
**BETTER THAN
GLOB
ALIGN
-**

**GUIDE
TIMER
BACK**

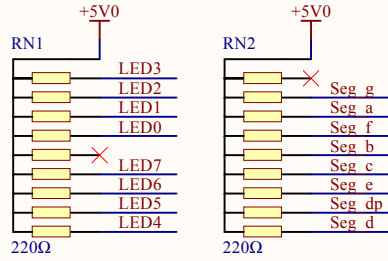
**AUTO
OPT
ABORT**



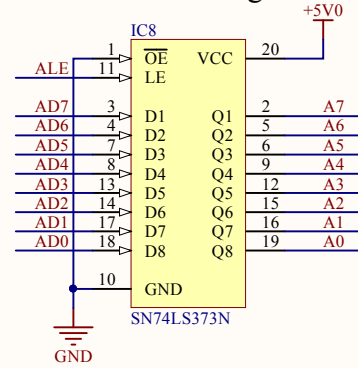
Internal display/keyboard connector



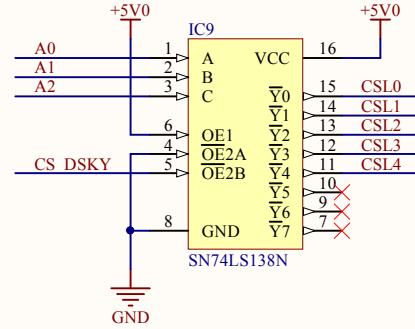
Display and LED pull-ups



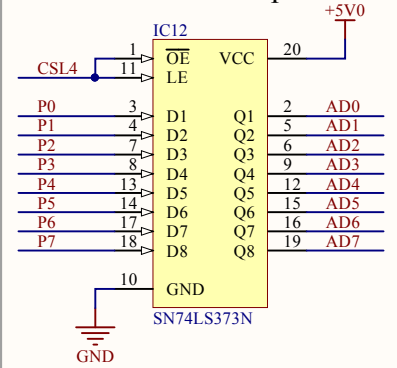
Lower address bus generator



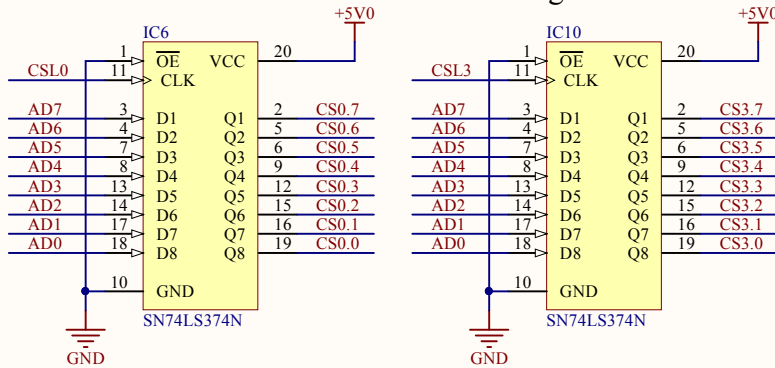
Address decoding



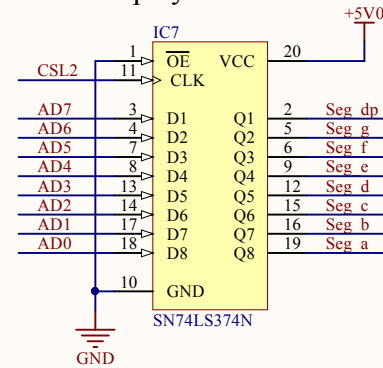
Pushbuttons input



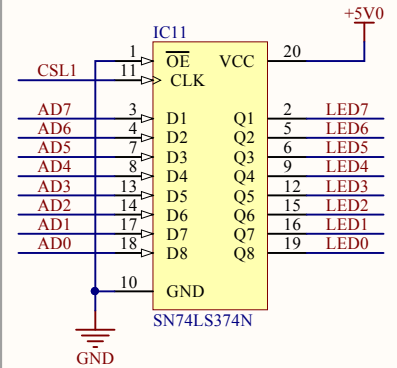
K Drivers address decoding



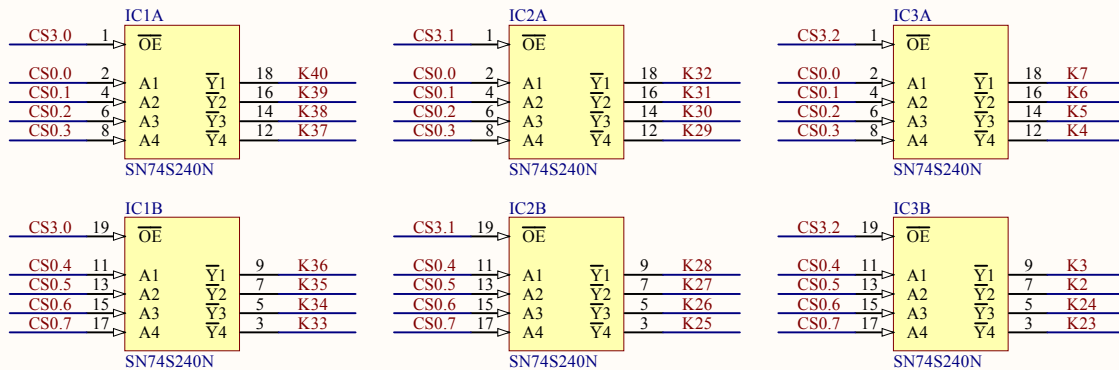
Display A drivers



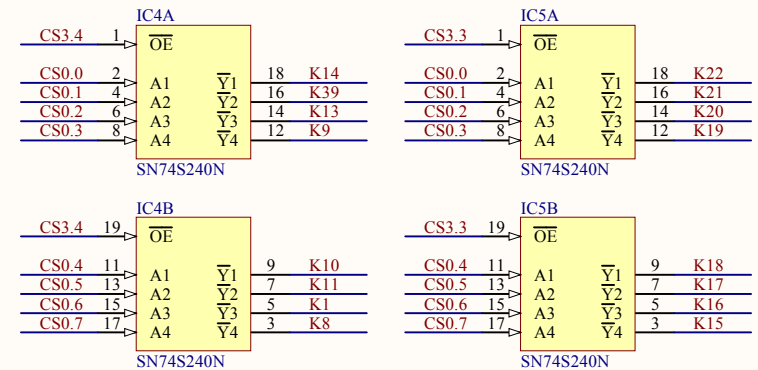
LED A drivers



Digit K drivers



LED K drivers

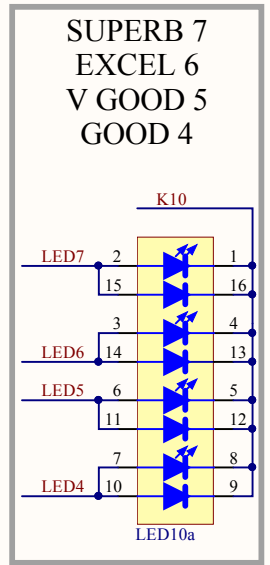
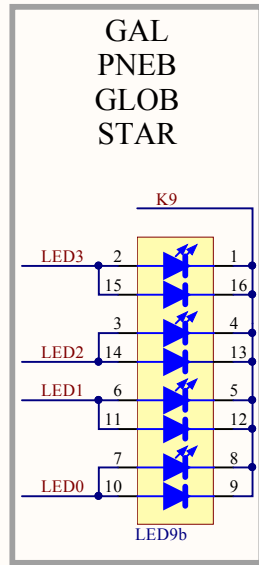
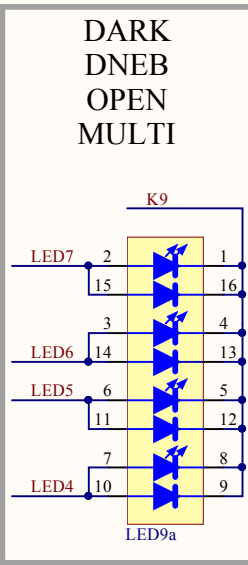
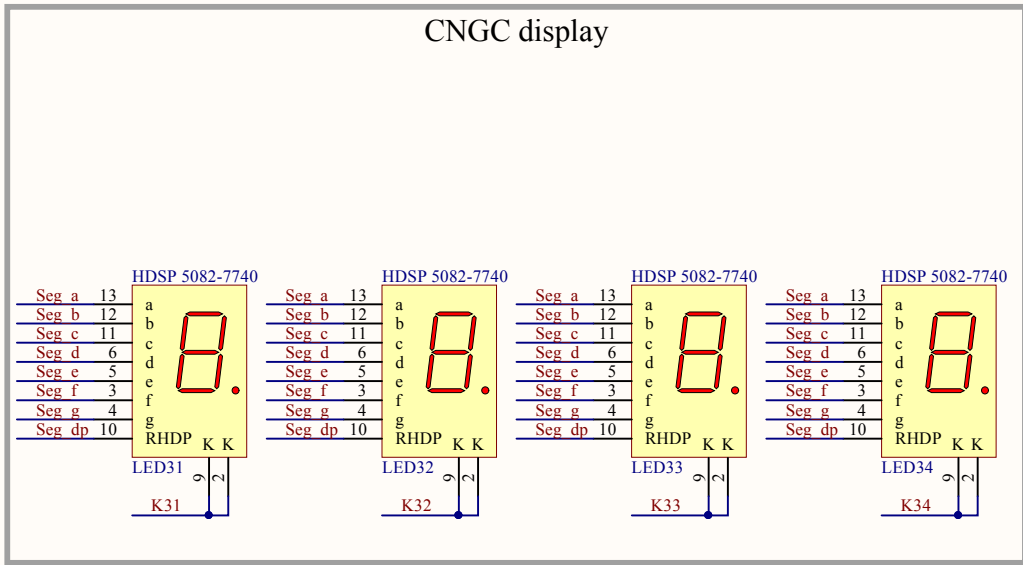
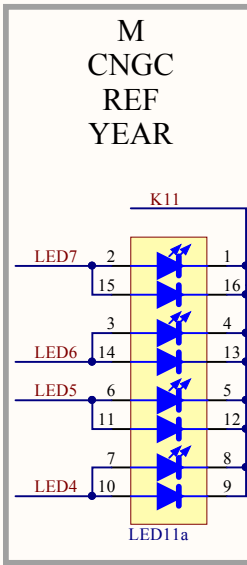


A

B

A

B

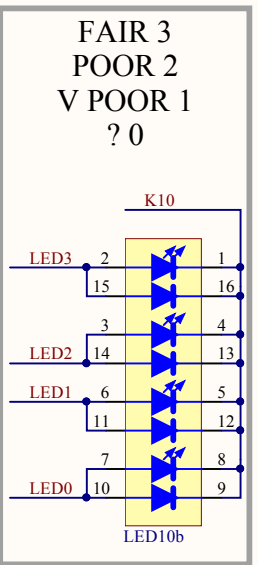
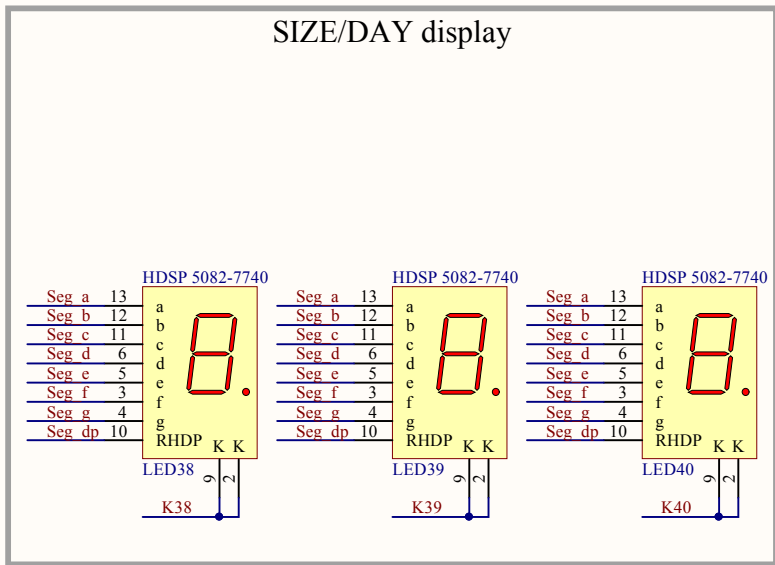
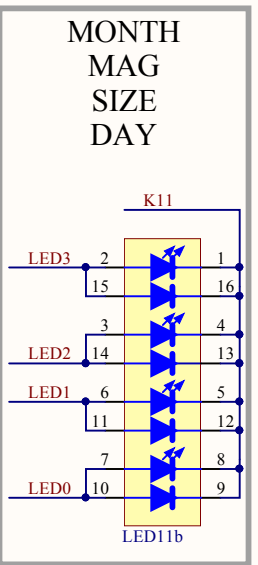
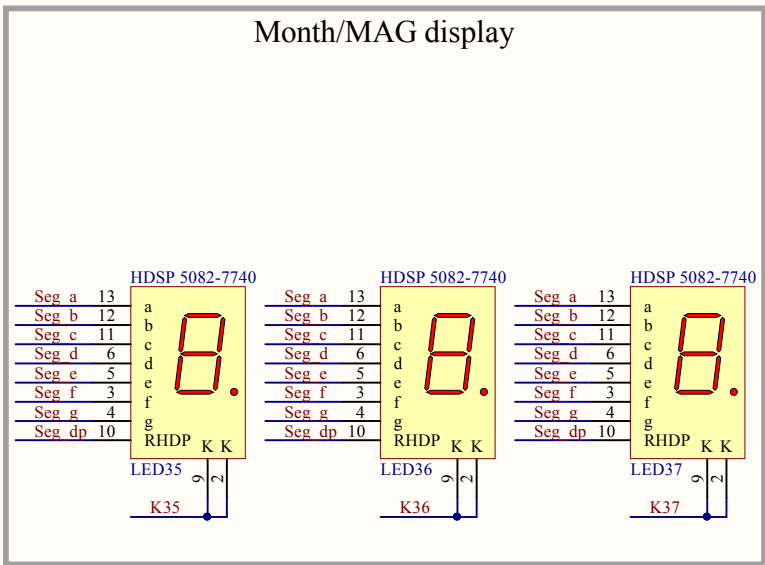


C

D

C

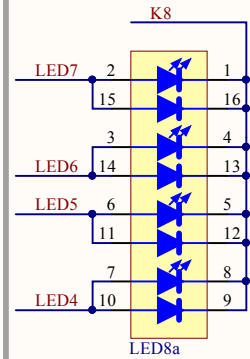
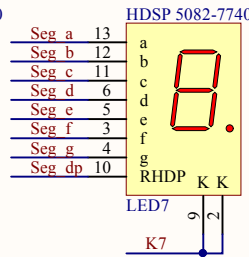
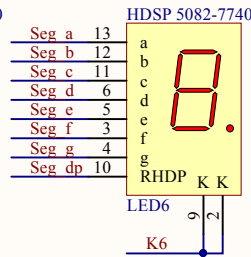
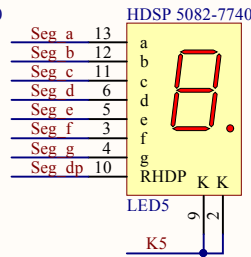
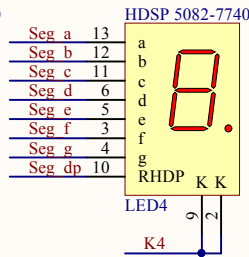
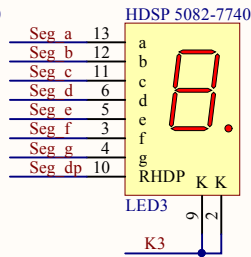
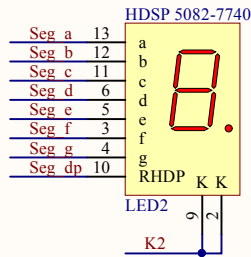
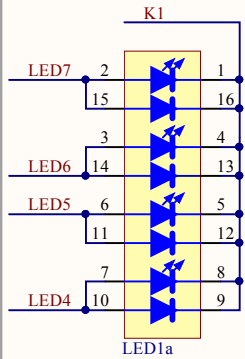
D



OBJ
RA
ALT
HA

RA/ALT/HA display

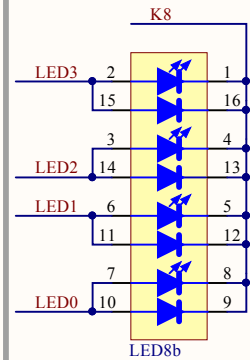
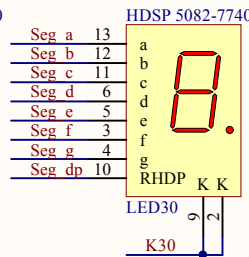
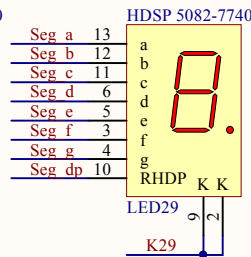
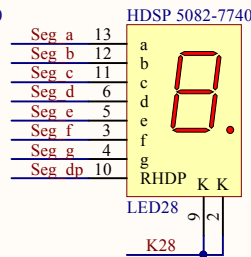
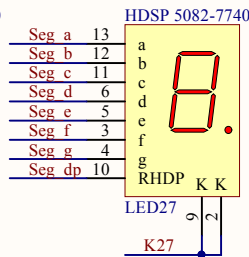
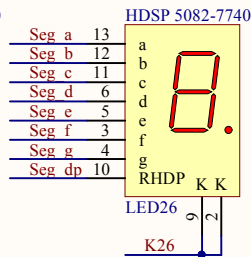
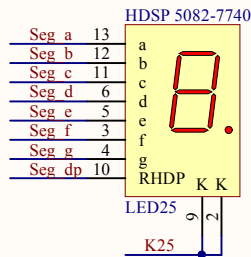
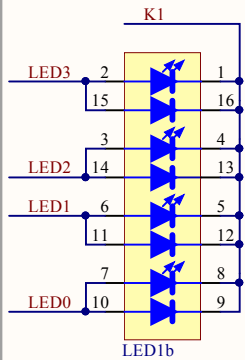
PAUSE
TIMER
HH MM
LONG



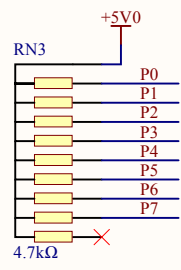
OBJ
DEC
AZ

DEC/AZ display

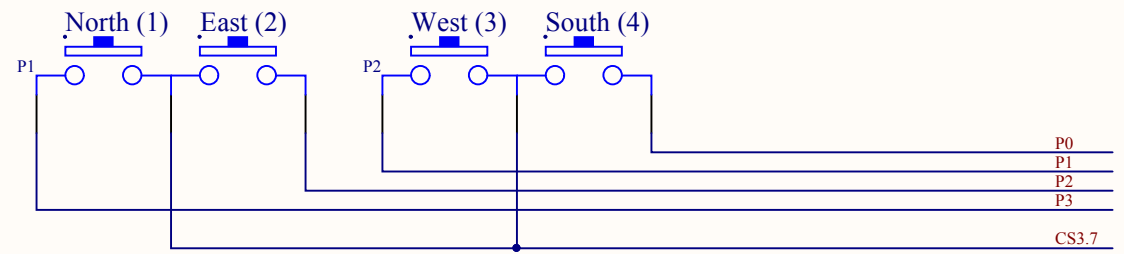
GMT
EPOCH
SS.S
LAT



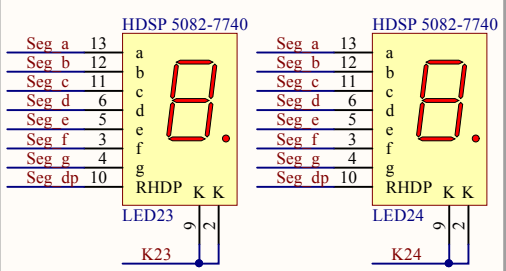
Pushbuttons pull-ups



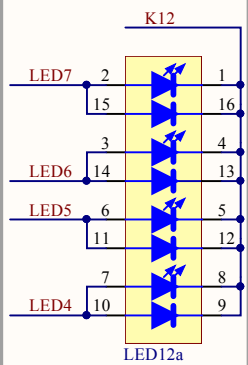
Movement buttons



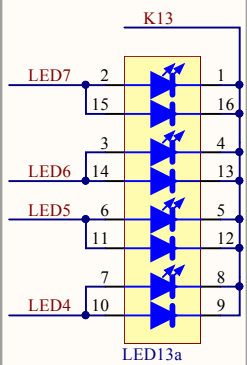
#<15' display



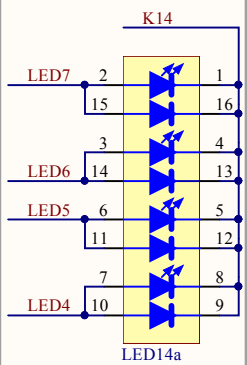
#<15' SKY CAT TIRION



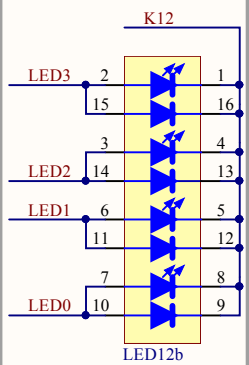
TOO LOW LOW BATT DAY TIME



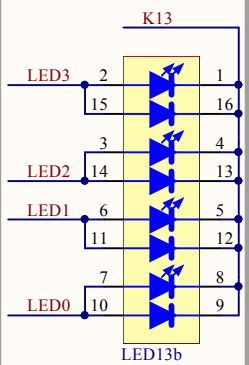
TIMER ON UP DOWN TIME OUT



READY BUSY ERROR



SLEW SET GUIDE AUTO



NORTH EAST WEST SOUTH

